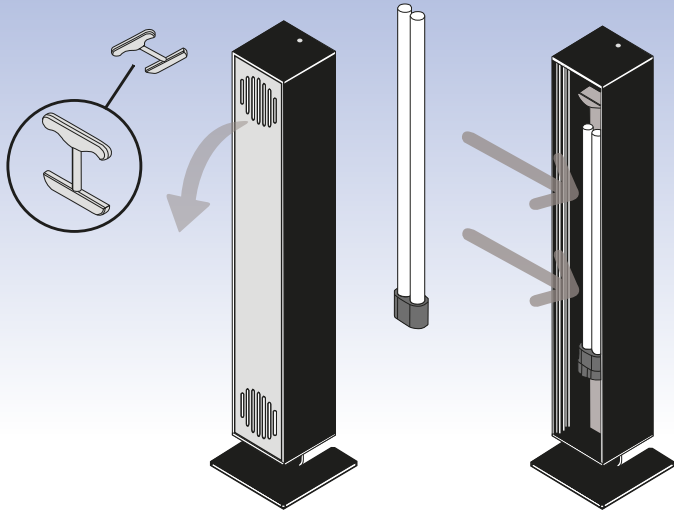


Service-Set KANDEMair 30



DR. FISCHER
Group



UV-C Lamp 1 x 36 W, T8

Opening handle KANDEMair 30 (Duo)

Lifetime of the lamp 9.000 h

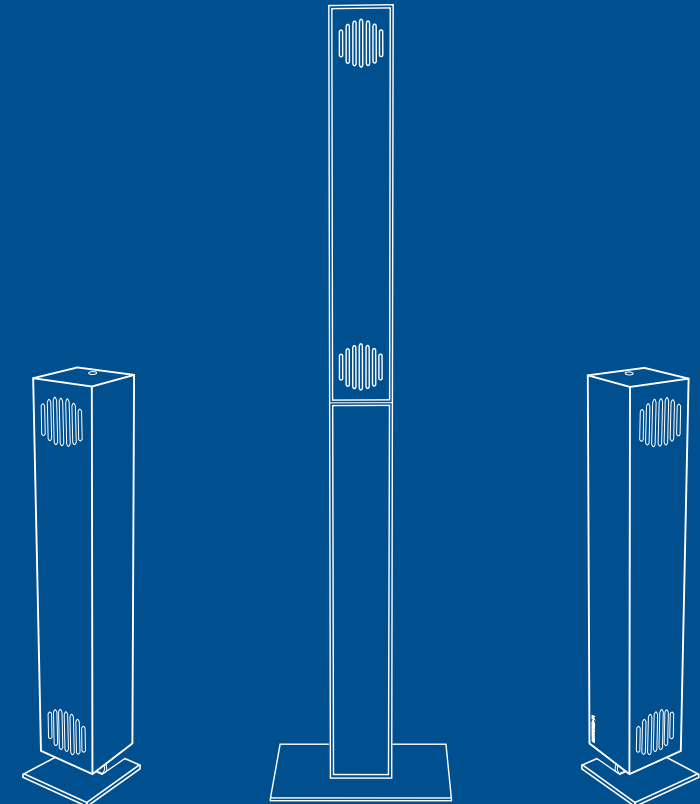
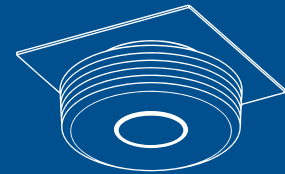
Do you need a **special solution** for your project?



No problem! Simply contact the **KANDEM** team with your enquiry.

KANDEM your partner for individual lighting solutions for more than 130 years.

KANDEMair UV-C Radiator Lamp Our Products



KANDEM Leuchten GmbH

Nikolaus-Otto-Straße 3-5
65582 Diez/Lahn, Germany

T: +49 (0) 6432 / 91 31 - 0
F: +49 (0) 6432 / 91 31 62
M: info@kandem.de
W: www.kandem.de

KANDEMair 30 (Duo)

For rooms up to 20 m² / 30 m²*



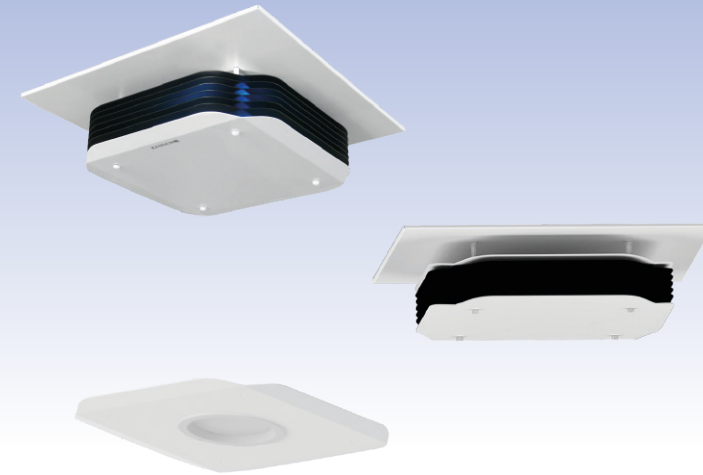
KANDEMair 20

For rooms up to 20 m²*



KANDEMair 10

For rooms up to 20 m²*



Connected load	36 W / 72 W		Connected load	38 W		Connected load	38 W	
Voltage	230 V		Voltage	230 V		Voltage	230 V	
Frequency	50 Hz		Frequency	50 Hz		Frequency	50 Hz	
UV-C Lamp	1 / 2 x 36 W, TC-L (included)		UV-C Lamp	4 x 9 W, TC-S (included)		UV-C Lamp	4 x 9 W, TC-S (included)	
Material	Aluminium / Sheet Steel		Material	Aluminium / Sheet Steel		Material	Aluminium / Sheet Steel	
Volume	17,7 dB (A)**		Accessories (optional)	Cover incl. DN 924		Accessories (optional)	Cover incl. DN 924	
Airflow	Active	Flow rate: 55 / 110 m ³ /h**	Airflow	Passive		Airflow	Passive	
Dimensions (LxWxH)	105 x 105 x 655 / 1.330 mm		Dimensions (LxWxH)	490 x 490 x 157 (M625)		Dimensions (LxWxH)	490 x 490 x 157 (M625)	
Base	150 x 150 mm / 300 x 300 mm		Comments	Ceiling height min. 2.50 m		Comments	Ceiling height min. 2.50 m	
Applications	Offices, homes, schools, warehouses, practices, day nurseries, public buildings		Applications	Offices, homes, schools, warehouses, practices, day nurseries, public buildings		Applications	Offices, homes, schools, warehouses, practices, day nurseries, public buildings	

**Technical data of the air purifier

*Up to a room height of 2,50 m